

TECHNICAL SPECIFICATION

LED Panel ROUND SATIN NICKEL



Technical data

- Power: 8W/21W
- Rated voltage: 85V - 265V
- Power supply: control gear, DC device – driver
- LED type: SMD
- Light source: Epistar SMD2016
- Colour temperature: 2700-3000K / 4000-4300K
- Protection against dust and moisture: IP40
- Housing: aluminum frame
- Colour of the frame: satin nickel
- Diffuser: even distribution of lights, without formation of lighter or darker spots
- Installation: built-in
- Long life: 30000 hours
- Power factor: $\lambda > 0.8$
- Starting time: $< 0.5s$
- Beam angle: 120°
- Colour rendering index: $Ra \geq 80$

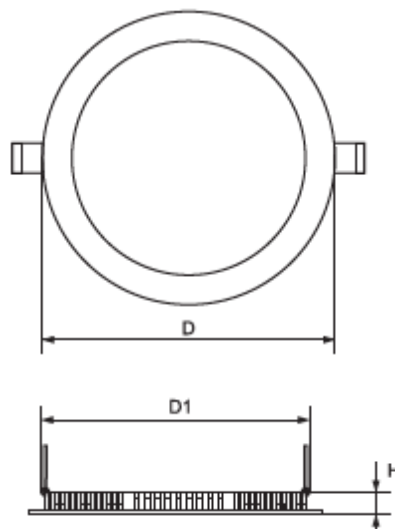
Areas of application

- Residential and commercial buildings
- Administrative buildings
- Banks
- Hospitals
- Schools

Product benefits

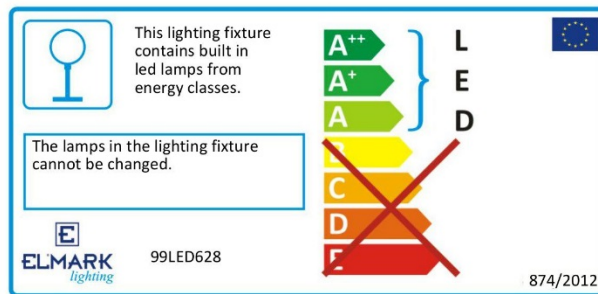
- Completely replace traditional fluorescent lighting
- Safety, low voltage operation
- Installation options: suspended ceilings, artificial walls, pendant mounting
- Emit a very pleasant and even light with very low glare factor due to the diffusion lens
- Low power consumption
- Repeated switch-on/off does not affect the lifespan of the LED panel
- Instant light with maximum luminous flux
- Environmentally friendly - do not emit mercury and lead (RoHS Directive)
- No ultraviolet and infrared rays
- Resistant to shock and vibration

Variants and dimensions



Watt	LED chip lumens (lm) / LED (pcs)	Whole fixture lumens (lm)	Colour temp. (K)	Colour body	Size			Catalogue number	Packing (pcs)
					D	H	D1		
8W	27 / 30	640	4000-4300	satin nickel	120	21	100	99LED628	40
8W	27 / 30	640	2700-3000	satin nickel	120	21	100	99LED629	40
21W	27 / 100	1680	4000-4300	satin nickel	225	21	205	99LED630	20
21W	27 / 100	1680	2700-3000	satin nickel	225	21	205	99LED631	20

Energy efficiency



Barcodes

Barcode	Catalogue number
3800131184139	99LED628
3800131184146	99LED629
3800131184153	99LED630
3800131184160	99LED631

Standards

EN 55015

EN 61000-3-2; EN 61000-3-3

EN 61547

EN 61000-4-2; EN 61000-4-4; EN 61000-4-5; EN 61000-4-8; EN 61000-4-11

EN 60598-1; EN 60598-2-2

